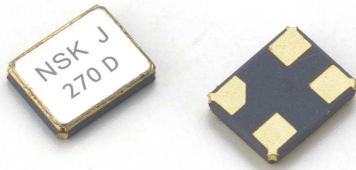


SMD TYPE CERAMIC (SMD 2 x 2.5)



Application of SMD crystal:

- Radio communication
- TCXO
- Office automation equipment
- GPS
- Audio-visual equipment



{ Features }

Seam welding
 Excellent solderability
 Automatic and perfect packing due to emboss taping
 Excellent vibration resistance & shock resistance
 Rohs compliant / Pb free

Electrical Specification:

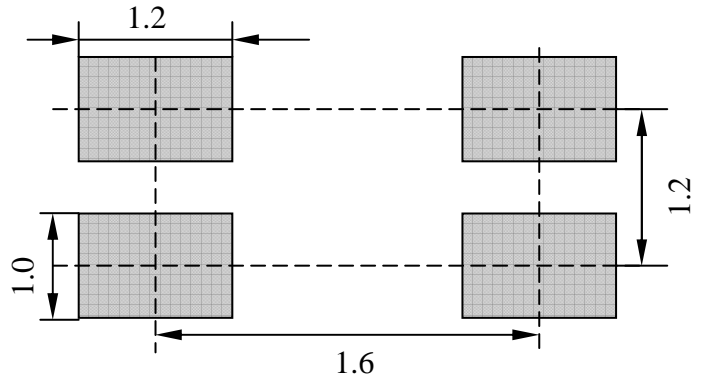
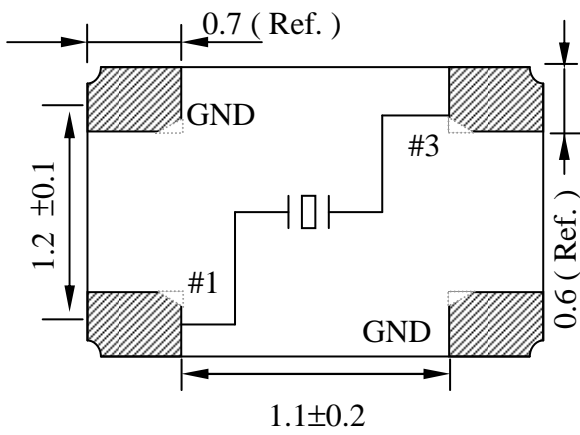
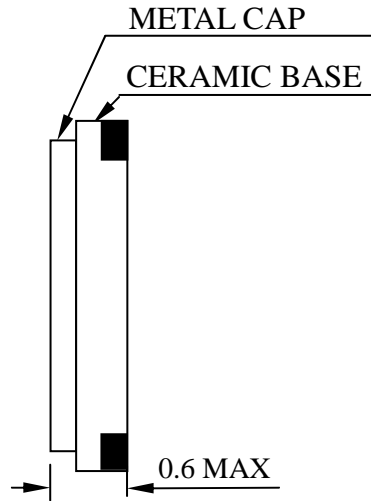
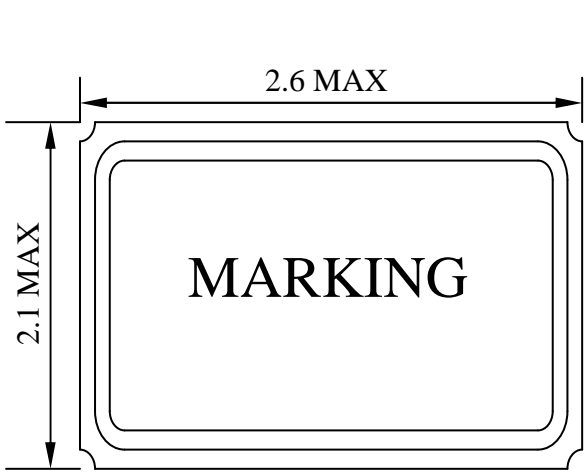
Model	NXL-22
1.Frequency	
Frequency Range	12.0 ~ 50.0 MHz
Frequency Tolerance at 25°C±2°C	±10 ~ ±50 ppm (TYP.)
Frequency Stability Over Operating Temp Range	±10 ~ ±50 ppm (TYP.)
2.Environmental Condition	
Operating Temp Range	-10°C~ +60°C,-20°C~ +70°C or customer requirement
Storage Temp Range	-40°C ~ +85°C
Aging Rate	±3ppm/year
3.Electrical Specifications	
Test Circuit	S&A 250B
Load Capacitance	6 pF ~ 32 pF, series or special
Drive Level	1uW ~ 100uW or special
Shunt Capacitance	7.0pF max

Equivalent Series Resistance(ESR) VS Frequency:

Frequency (MHz)	Oscillation Mode	NXL-22
12.0 ~ 22.0	Fundamental	130Ω
22.1 ~ 50.0	Fundamental	110Ω



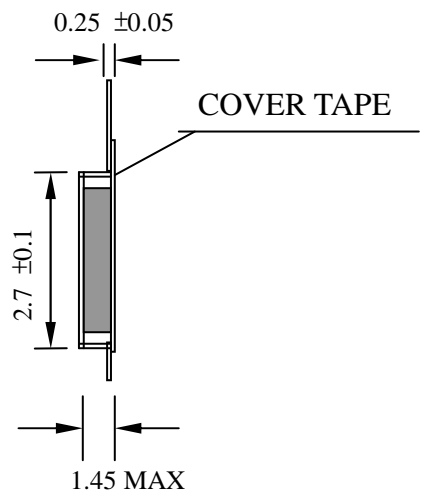
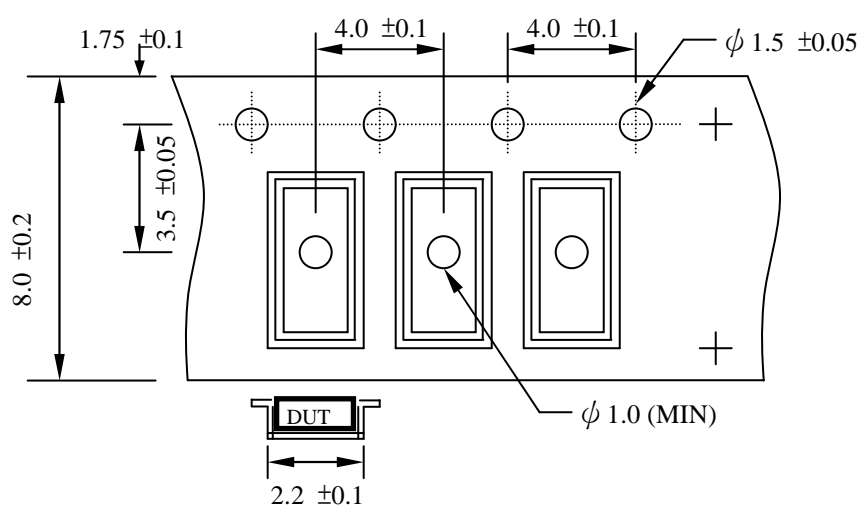
Dimensions (mm):



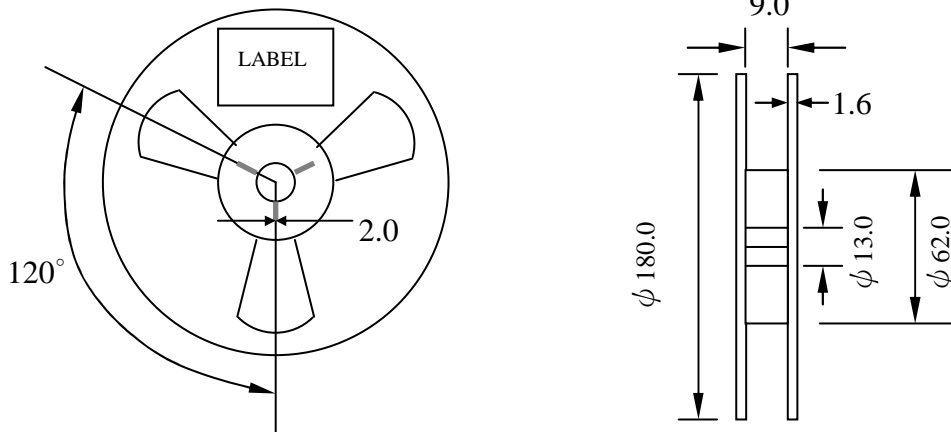
<TOP VIEW>

(Recommended Land Pattern)

Tape specification (mm):



Reel packing (mm):



Reflow Temperature profile:

